

# Network Video Recorder

## NVR308-X Series



### Key Features

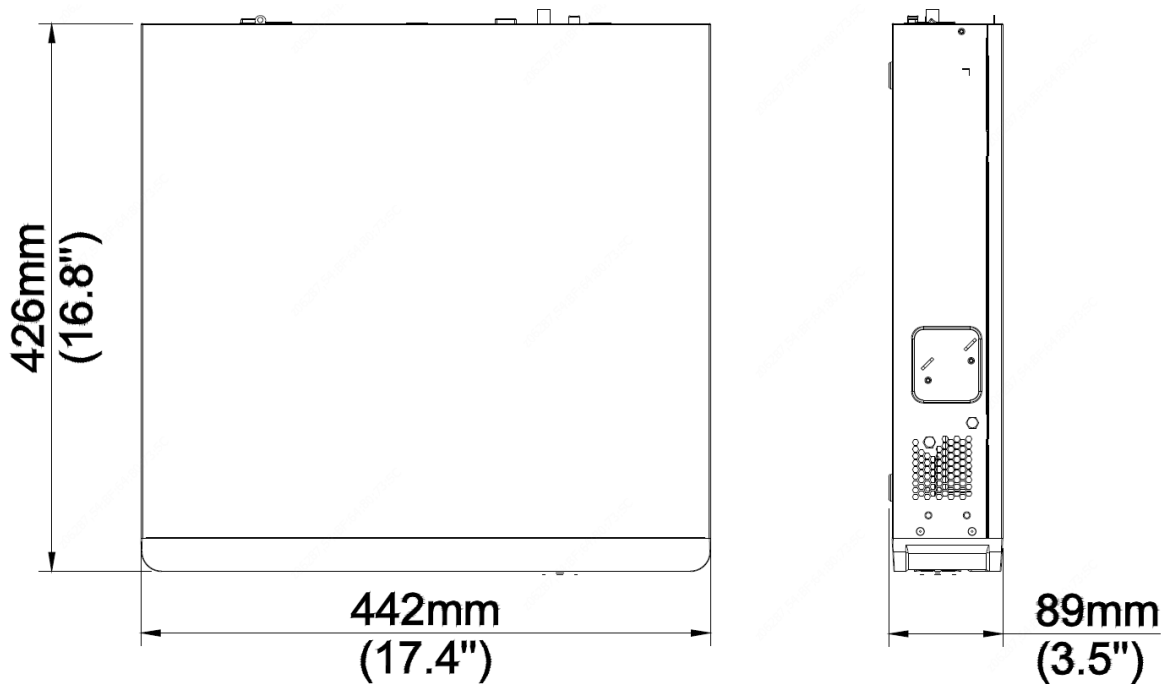
- Support Ultra H.265/H.265/H.264 video formats
- 16/32/64-channel input
- Supports mainstream cameras of ONVIF conformance(Profile S, Profile G, Profile T ) and RTSP protocols
- Support 2-ch HDMI, 1-ch VGA. HDMI1 and HDMI2 up to 4K (3840x2160) resolution
- HDMI1, HDMI2, VGA independent outputs provided
- Up to 12 Megapixels resolution recording
- Support RAID 0, 1, 5, 6, 10
- 8 SATA HDDs, Up to 12TB for each HDD
- Various fisheye dewarping modes for live view and playback for both web interface and GUI
- Support N+1 Hot spare
- Support for 12V Power output
- ANR technology to enhance the storage reliability when the network is disconnected
- Support cloud upgrade

## Specifications

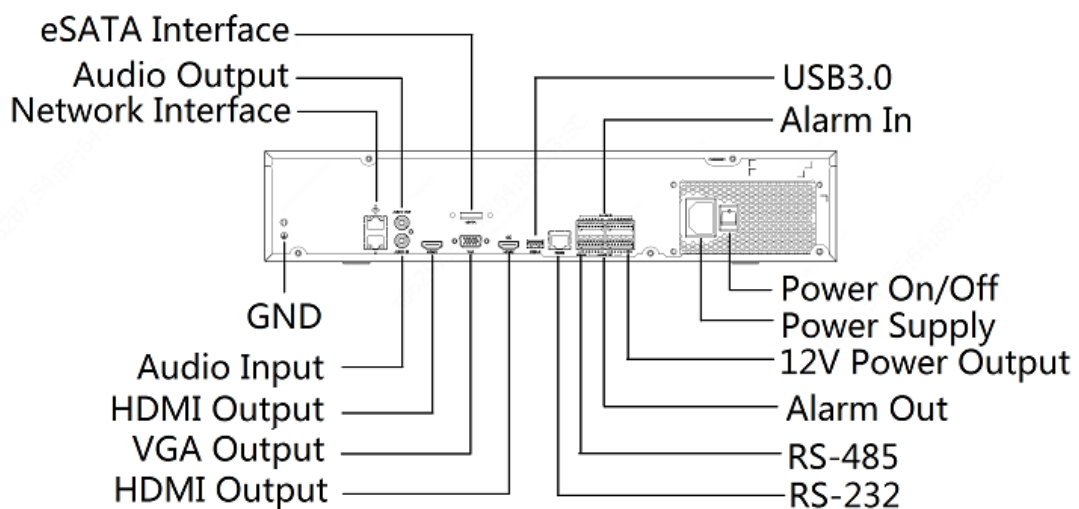
Model	NVR308-16X	NVR308-32X	NVR308-64X
<b>Video/Audio Input</b>			
IP Video Input	16-ch	32-ch	64-ch
Two-way Audio Input	1-ch, RCA		
<b>Network</b>			
Incoming Bandwidth	384Mbps		
Outgoing Bandwidth	384Mbps		
Remote Users	128		
Protocols	TCP/IP, P2P, UPnP, NTP, DHCP, PPPoE, HTTP, HTTPS, DNS, DDNS, SNMP, SMTP, NFS		
Browser	IE(IE10/11) for Windows Firefox (version 52.0 and above) for Windows Chrome(version 45 and above) for Windows Edge(version 79 and above) for Windows		
<b>Video/Audio Output</b>			
HDMI/VGA Output	VGA: 1920x1080p/60Hz, 1920x1080p/50Hz, 1600x1200/60Hz, 1280x1024/60Hz, 1280x720/60Hz, 1024x768/60Hz HDMI1/HDMI2(HDMI audio output is not supported): 4K (3840x2160)/30Hz, 1920x1080p/60Hz, 1920x1080p/50Hz, 1600x1200/60Hz, 1280x1024/60Hz, 1280x720/60Hz, 1024x768/60Hz		
Recording Resolution	12MP/8MP/6MP/5MP/4MP/3MP/1080p/960p/720p/D1/2CIF/CIF		
Audio Output	1-ch, RCA		
Audio Compression	G.711A, G.711U		
Synchronous Playback	16-ch		
Liveview display	VGA/HDMI1/HDMI2: 1/4/6/8/9/16	VGA/HDMI1/HDMI2: 1/4/6/8/9/16/25/36	VGA: 1/4/6/8/9/16/25/36 HDMI1/HDMI2: 1/4/6/8/9/16/25/36/64
Corridor Mode Screen	3/4/5/7/9/10/12/16	3/4/5/7/9/10/12/16/32	
<b>Snapshot</b>			
FTP/Schedule/Event Snapshot	16-ch snapshot, up to 4K resolution	32-ch snapshot, up to 4K resolution	64-ch snapshot, up to 4K resolution
<b>Decoding</b>			
Decoding format	Ultra 265, H.265, H.264		
Live view/Playback	12MP/8MP/6MP/5MP/4MP/3MP/1080p/960p/720p/D1/2CIF/CIF		
Capability	2 x 12MP@30, 4 x 4K@30, 8 x 4MP@30, 9 x 4MP@25, 16 x 1080P@30	2 x 12MP@30, 4 x 4K@30, 8 x 4MP@30, 9 x 4MP@25, 16 x 1080P@30, 32 x 960P@25	2 x 12MP@30, 4 x 4K@30, 8 x 4MP@30, 9 x 4MP@25, 16 x 1080P@30, 32 x 960P@25, 36 x 720P@30, 64 x D1
<b>Hard Disk</b>			
SATA	8 SATA interfaces		
Capacity	up to 12TB for each HDD		
eSATA	1 eSATA interface		

Disk Group	Support
<b>Disk Array</b>	
Array Type	RAID 0, 1, 5, 6, 10
<b>Smart</b>	
VCA Detection by Camera	Intrusion Detection, Cross Line Detection, Enter Area, Leave Area, Defocus Detection, Scene Change Detection, Auto Tracking, Object Left Behind, Object Removed, Vehicle Control, Temperature Detection(Fire Detection, Smoking Detection, Temperature Measurement, Smoke and Fire Detection), Ultra Motion Detection(UMD), Video Metadata, Traffic Monitoring
VCA Search	Motor Vehicle Search, Non-Motor Vehicle Search, Human Body Search, General Search, People Counting Report
People Counting	People Flow Counting, Crowd Density Monitoring
Smart Intrusion Prevention (SIP), Vehicle Detection, Temperature Detection, UMD, Video Metadata, Traffic Monitoring by Camera	Total 16-ch
<b>General Alarm</b>	
General Alarm	Motion, Tampering, Human Body Detection, Video Loss, Alarm input, Audio Detection
Alert Alarm	IP Conflict, Network Disconnected, Disk Offline , Disk Abnormal, Illegal Access, Hard Disk Space Low, Hard Disk Full, Recording/Snapshot Abnormal
<b>External Interface</b>	
Network Interface	2 RJ45 10M/100M/1000M self-adaptive Ethernet Interfaces
USB Interface	Front panel: 2 x USB2.0,Rear panel: 1 x USB3.0
RS232	1
RS485	1
Alarm In	16-ch
Alarm Out	4-ch
<b>General</b>	
Power Supply	100~240 VAC Power Consumption: ≤ 25 W (without HDD)
Working Environment	-10°C~+ 55°C (+14°F~+131°F), Humidity ≤ 90% RH (non-condensing)
Dimensions (W×D×H)	442mm ×426mm× 89mm (17.4" × 16.8"× 3.5")
Weight (without HDD)	≤ 5.7Kg (12.57lb)
<b>Certification</b>	
Certification	CE, FCC, UL, RoHS, WEEE
CE	EN 55032: 2015, EN 61000-3-3: 2013, EN IEC 61000-3-2: 2019, EN 55035: 2017
FCC	Part15 Subpart B, ANSI C63.4

## Dimensions



## Rear Panel



**Zhejiang Uniview Technologies Co., Ltd.**

Building No.10, Wanlun Science Park, Jiangling Road 88, Binjiang District, Hangzhou, Zhejiang, China

Email: [overseasbusiness@uniview.com](mailto:overseasbusiness@uniview.com); [globalsupport@uniview.com](mailto:globalsupport@uniview.com)

<http://www.uniview.com>

©2021-2022 Zhejiang Uniview Technologies Co., Ltd. All rights reserved.

\* Product specifications and availability are subject to change without notice.